

BELLTEC™ STUMP BUCKETS

Belltec Stump Buckets are the fastest way to remove tree stumps and boulders and haul away debris by transforming your skid-steer or compact track loader into a powerful digger. Built with heavy-duty materials and engineered to perform in the most challenging conditions, Belltec stump buckets are available in three models depending on your needs.

Main Features:

- 3/8" Steel Interlocking Construction
- Chain Slots For Securing a 5/16" Safety Chain
- 3/4" x 13.5" AR500 Steel Cutting Edge
- Three Replaceable Bucket Teeth
- Universal Skid-Steer Mounting Plate



THREE MODELS TO CHOOSE FROM

3/8" STEEL CONSTRUCTION

13.5" CUTTING EDGE

STUMP BUCKETS

BELLTEC STUMP BUCKETS

Belltec Stump Buckets are designed for years of daily use and come standard with heavy-duty features like serrated steel side plates to cut through roots, excavator-style teeth with replaceable tips, and an interlocking construction for added strength.



GENERAL PURPOSE STUMP BUCKET

Stump Bucket

117111

The General Purpose Stump Bucket is the smallest model available on our lineup, which makes it ideal for moderate digging conditions like uprooting stumps, digging, and carrying smaller loads.

- Three Replaceable Excavator-Style Teeth
- 25" wide bucket tapered down to a 13.5" cutting edge
- 3/4" Serrated Side Plates
- 39.5" deep (including teeth)
- Weighs 250 lbs



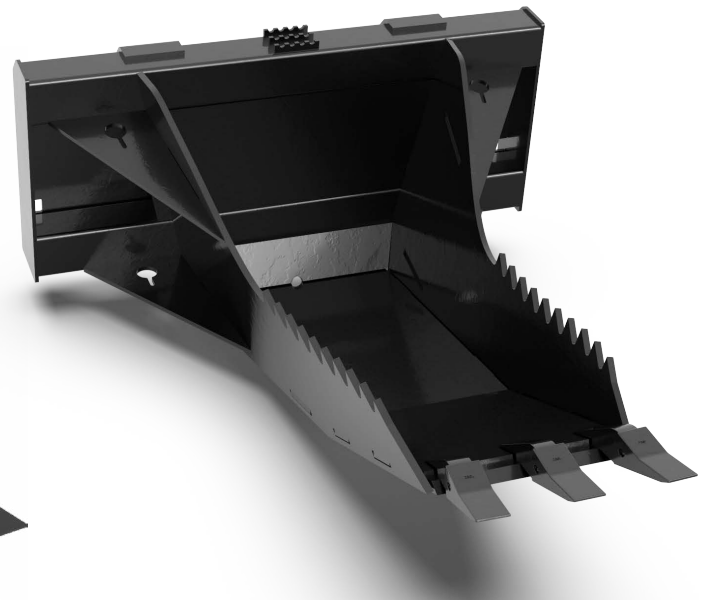
HEAVY DUTY STUMP BUCKET

Stump Bucket

117341

With a longer profile and a wider bucket than the General Purpose model, the Heavy Duty Stump Bucket allows you to dig deeper and carry larger loads easily.

- Three Replaceable Excavator-Style Teeth
- 26 3/4" wide bucket tapered down to a 13.5" cutting edge
- 3/4" Serrated Steel Side Plates
- 56.5" deep (including teeth)
- Weighs 340 lbs



SEVERE DUTY STUMP BUCKET

Stump Bucket

117147

The Severe Duty model is our most aggressive design featuring a 4" x 4" steel backplate and serrated side plates constructed out of AR400 steel so you can tackle the most challenging conditions confidently.

- Three Replaceable Excavator-Style Teeth
- 4" x 4" steel tube frame
- 3/4" AR400 Serrated Steel Side Plates
- 56.5" deep (including teeth)
- Weighs 500 lbs